

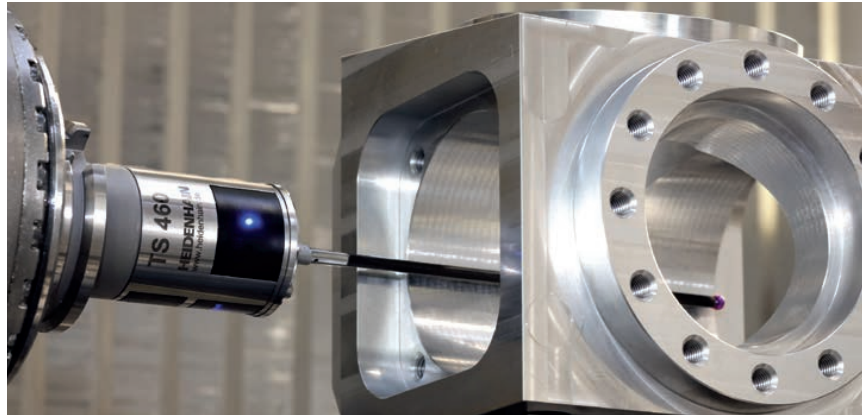
# Styli

## Styli for the TS

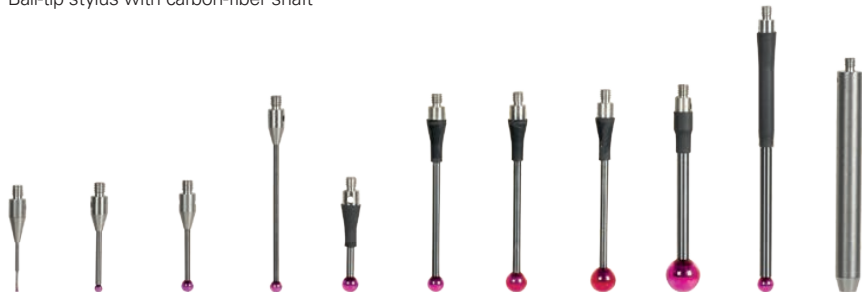
HEIDENHAIN offers styli in a variety of lengths and ball-tip diameters. All styli are attached to the TS touch probes by means of an M3 thread. Starting from a ball-tip diameter of 4 mm, a rated break point protects the touch probe from mechanically induced damage caused by operator error. The following styli are included in delivery with the TS touch probes:

- For the TS 150, T404
- For the TS 260/TS 248, 2 x T404
- For the TS 460, T404 and T409
- For the TS 642 and TS 740, T404 and T424

By means of the coupling joint, the TS 260/TS 248 can be mounted in a particular orientation so that asymmetric and cuboid probe contacts can be exactly aligned.



Ball-tip stylus with carbon-fiber shaft



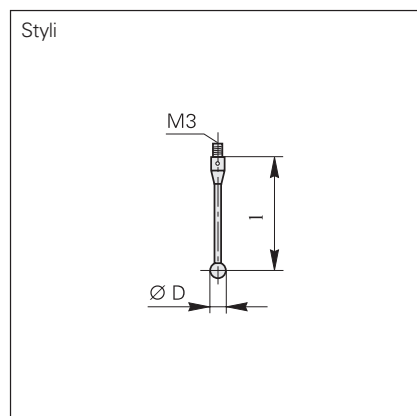
## Ball-tip styli with steel shaft

Model	ID	Length l	Ball diameter D
T421	295770-21	21 mm	1 mm
T422	295770-22	21 mm	2 mm
T423	295770-23	21 mm	3 mm
T424	352776-24	21 mm	4 mm
T403	295770-03	40 mm	3 mm
T404	352776-04	40 mm	4 mm
T405	352776-05	40 mm	5 mm
T406	352776-06	40 mm	6 mm
T408	352776-08	40 mm	8 mm
T409	352776-19	60 mm	4 mm

## Ball-tip styli with carbon-fiber shaft

Model	ID	Length l	Ball diameter D
T510	805228-01	100 mm	5 mm
T515	805228-02	150 mm	5 mm
T520	805228-03	200 mm	5 mm
T530	805228-05	300 mm	5 mm
T615	805228-10	150 mm	6 mm
T610	805228-07	100 mm	6 mm

Additional styli, including special shapes, are available upon request.



## Star-type insert

For up to five styli (e.g., T404 or T421)  
ID 1090725-01

## Stylus adapters

For the fastening of styli with M4 thread  
ID 730192-01

## Stylus extension

Model	ID	Length l	Material
T490	296566-90	50 mm	Steel
T790	1213836-06	60 mm	Titanium

The stylus extension may be used only in conjunction with the short styli (21 mm in length).

